



WITA SM 4

Product description

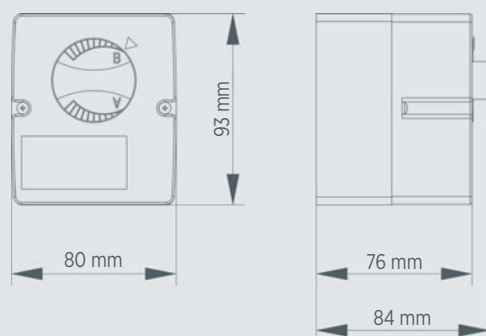
The servomotors of the SM 4 series with hollow drive shaft are available with the torque 6 Nm and 10 Nm. SM 4.6 (6 Nm) with a non-blocking (240h) plastic wheelset can be used for mixers of nominal sizes DN 15 - DN 32. Available in the positioning time 150sec / 210sec / 90 °. SM 4.10 (10 Nm) with a non-blocking (240h) metal wheelset can be used for mixers with nominal widths from DN 40 - DN 50. Available in the operating time 150sec / 210sec / 90 °. Simple centric mounting on different mixers is possible because of various available mounting kits.



The position of the mixer is indicated by the scale on the manual adjustment. This is characterised by a simple handling in emergency purposes. If the manual operation is no longer necessary, the standard mode will take place

Technical data

Operating voltage	230V AC/ 50 Hz 24V AC/ 50 Hz +/-10% (DIN IEC 600038)
Torque	6 Nm / 10 Nm
Angle of rotation	90° (factory set)
Running time	150 sec/ 90°
Running time	210 sec/ 90°
IP protection class	II
Protection type	IP 40
Ambient temperature	0 °C - 50 °C
Storage temperature	-20 °C - 60 °C



Servomotor type	Torque	Versions
-----------------	--------	----------

SM 4.6	6 Nm	Can be used with a 3-point controller for systems with motor-driven mixing valves.
SM 4.10	10 Nm	
SM 4.6C	6 Nm	Can be used with a 3-point controller
SM 4.10C	10 Nm	(with a solid state output) for systems with motor-driven mixing
SM 4.6R	6 Nm	Can be used in environments where the mixing valve functions as a valve.
SM 4.10R	10 Nm	The operating voltage can be switched on with a thermostat ON/OFF switch or a 2-point controller.