

Submersible sewage pump WVSD



Product advantages

- Durability and stability due to stainless steel housing and stainless steel screws
- High performance: The open impeller type contributes to a better flowability of the wastewater
- Reliable sealing: With double mechanical seal on both sides of the stainless steel shaft, a more reliable sealing performance is achieved

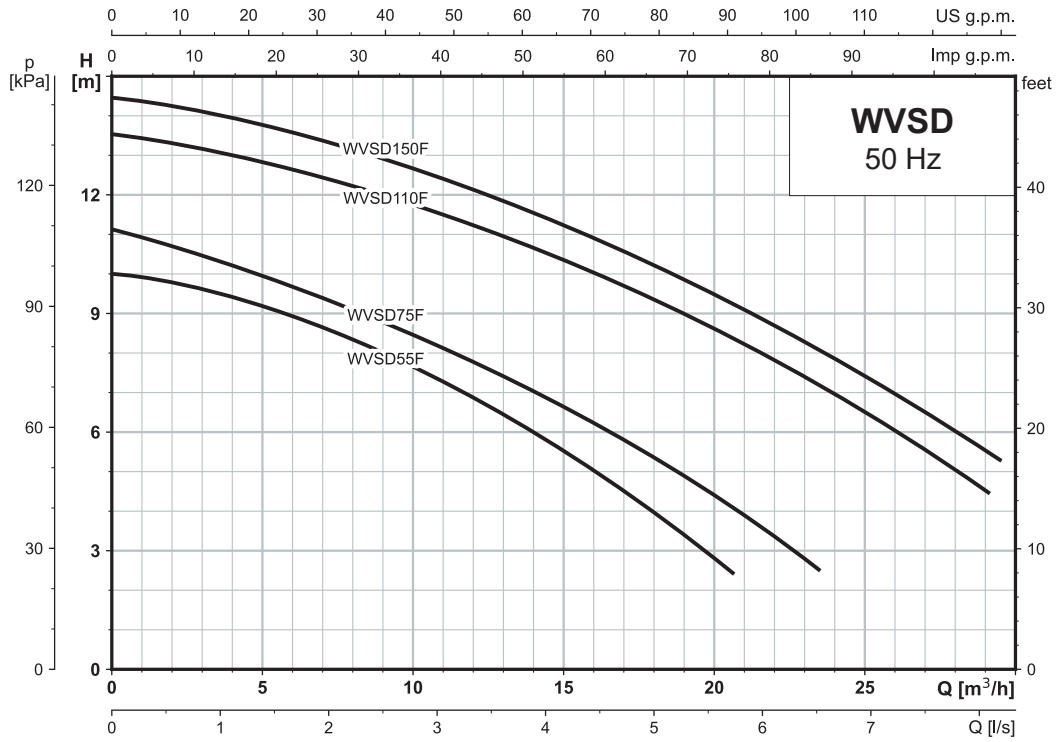
Technical data

WVSD | 55F | 75F | 110F | 150F

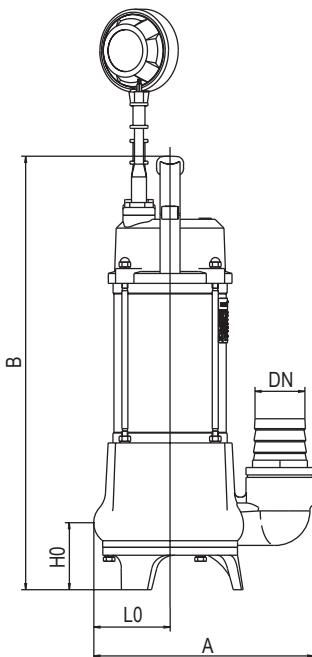
	55F	75F	110F	150F
Max. head (m)	10	12	13	14
Max. Flow (m ³ /h)	18	21	27	30
Power P2 (kW)	0.55	0.75	1.1	1.5
Supply voltage	1x230V, 50Hz	1x230V, 50Hz	1x230V, 50Hz	1x230V, 50Hz
Protection class	IPX8	IPX8	IPX8	IPX8
Fluid temperature (°C)	40	40	40	40
Immersion depth (m)	0.5-5	0.5-5	0.5-5	0.5-5
Insulation class	B	B	B	B
Pump housing material	cast iron	cast iron	cast iron	cast iron
Impeller material	PPO + GF20	PPO + GF20	PPO + GF20	PPO + GF20
Cable (m)	10 m Length incl. protective power plug	10 m Length incl. protective power plug	10 m Length incl. protective power plug	10 m Length incl. protective power plug
	Article No P TP340 7105	Article No P TP340 7106	Article No P TP340 7108	Article No P TP340 7109

Different product types available on request.
Contact for the details.

Hydraulic characteristics



Dimensions and Weight



Model	Connections	Dimensions (mm)				Weight (kg)	
		A	B	LO	HO	N.W.	G.W.
Single-phase	DN						
WVSD55F	2"	220	440	79	67	16	17
WVSD75F	2"	220	460	79	67	18	19
WVSD110F	2"	245	475	90	83	22	23
WVSD150F	2"	245	500	90	83	24	25.5