



WITA Actuator with ball valve

Product description

The SM W actuators with ball valves are used in heating, solar and cooling systems, in which only the end position of the actuator is used. The actuator and the valve are designed for an operating range of 90° of rotation, so they are mainly used for switching

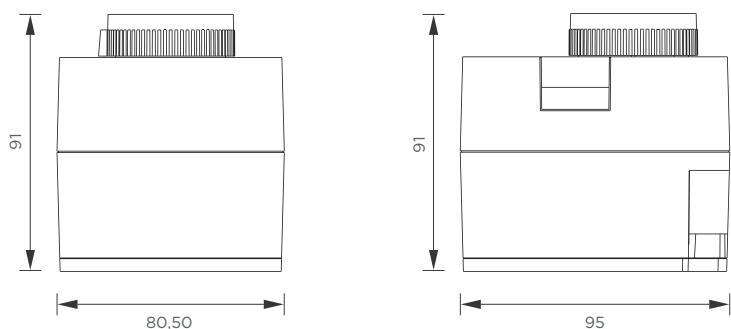
between different energy consumers and generators (3-way) or as a shut-off element (2-way). Available are sets with valve diameters of DN 15-DN 25.

Technical data

Supply voltage own consumption	230 V or 24 V
Own consumption	2,5 - 5 W
Additional switch for switching off the pump	250 V~, 3 A
Protection rating	IP 42
Protection class	II for 230 V- voltage, III for 24 V~/V= voltage
Standards used	EN 60730-1, EN 60730-2-14
Housing material	polycarbonate - dark grey
Standard cable length	2 m
Operating temperature	0 °C - 50 °C
Storage temperature	-20 °C - 75 °C
Product weight	390-860 g

Technical data of actuator

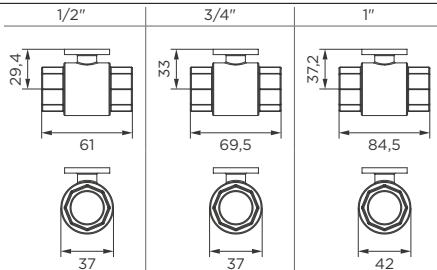
- Built-in permanent „click” release for manual adjustment
- Quick and easy assembly
- Display of the rotation direction and the valve position
- Suitable for use in heating as well in hot water systems





Product specials of 2-way ball valve

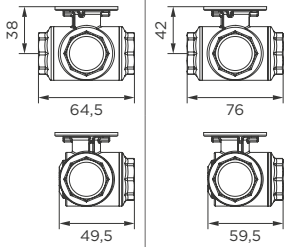
- The ball valve driven by the actuator is used for shutting-off liquids, such as in domestic hot water, cooling or heating systems as well as in industry and agriculture
- ON/OFF zone regulation of the systems

Article description	2-point actuator SM W KV2 - with limit switch + ball valve set	
Operating mode	2-way (shut-off valve)	
Operating temperature	10 -110	
Rotation angle	90°	
Dimensions		
		Kvs-value (m ³ /h)
Article No	AVDO5-2-15 actuator with 2-way ball valve / DN 15, 2 min., 230 V, 50 Hz + 2-way ball valve 1/2"	17
	K AVDO5-2-20 actuator with 2-way ball valve / DN 20, 2 min., 230 V, 50 Hz + 2-way ball valve 3/4"	41
	K AVDO5-2-25 actuator with 2-way ball valve / DN 25, 2 min., 230 V, 50 Hz + 2-way ball valve 1"	70

Product specials of 3-way ball valve

- 3-way switching to different energy sources
- Switching takes place a.o. from solid fuel boiler or storage tank to oil or gas boiler
- Domestic water heating by switching between heat pump, oil or solid fuel boiler and solar system



Article description	2-point actuator SM W KV3 - with limit switch + ball valve - set	
Operating mode	3-way (shut-off valve)	
Operating temperature	-10 °C - 110 °C	
Rotation angle	90°	
Dimensions		
		Kvs-value (m ³ /h)
Article No	K AVDO5-3-15 actuator with 3-way ball valve / DN 15, 2 min., 230 V, 50 Hz + 3-way ball valve 1/2"	5,4
	K AVDO5-3-20 actuator with 3-way ball valve/ DN 20, 2 min., 230 V, 50 Hz + 3-way ball valve 3/4"	8,6