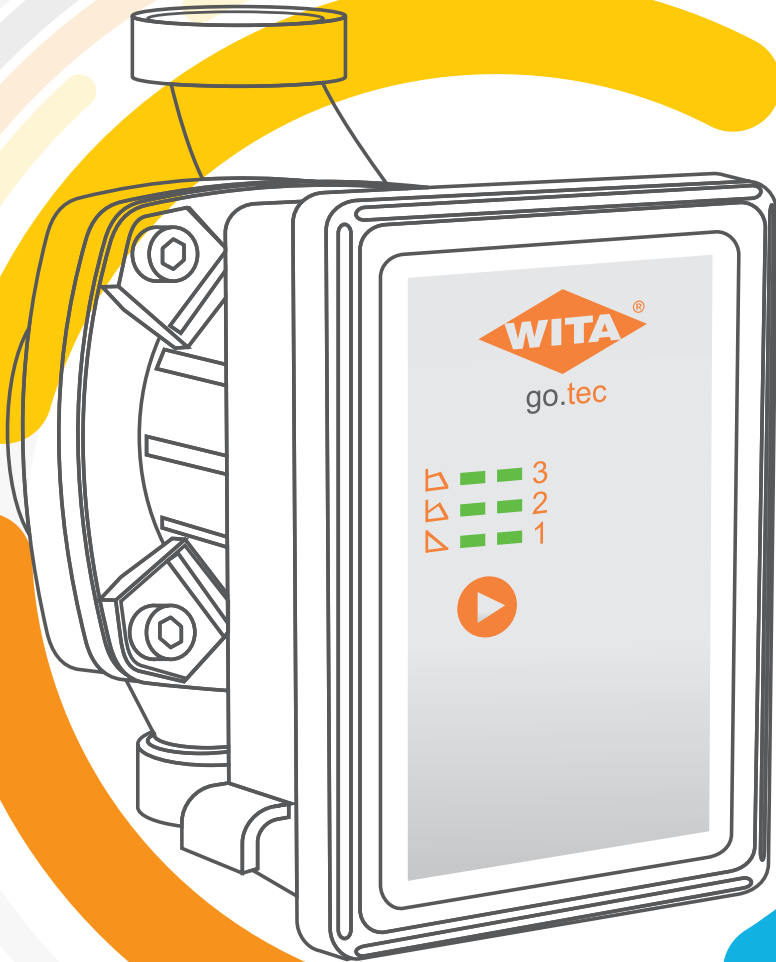


ORIGINAL ONLY WITH THE DIAMOND



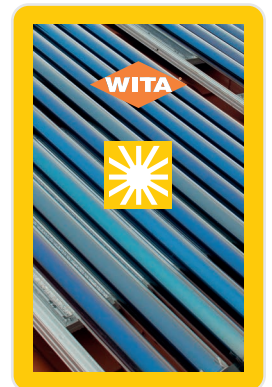
go.tec  
40 | 60 | 70 | 80



go.tec H



go.tec G



go.tec S

## Product specials

- 5 years warranty
- Smart Adapt
- Anti-lock function
- Venting function
- Button lock
- Available
  - PWM 1 for heating
  - PWM 2 for solar



go.tec H heating



go.tec G heat pumps

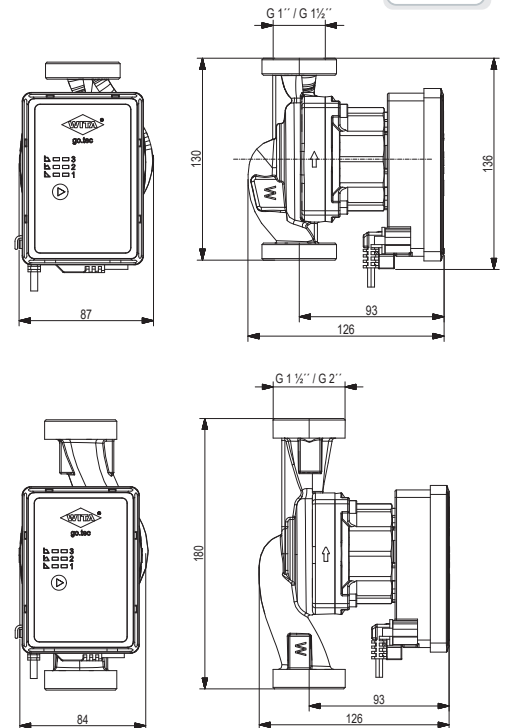


go.tec S solar

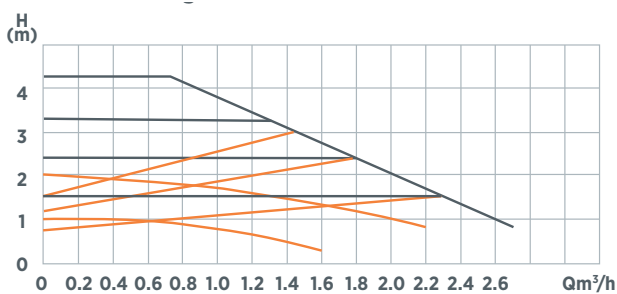
## Technical data

	40	60	70	80
Maximum delivery head	4 m	6 m	7 m	8 m
Maximum flow rate	2600 l/h	3500 l/h	4000 l/h	4500 l/h
Power consumption	4-25 W	4-45 W	4-65 W	4-80 W
Regulation	3 constant characteristics 3 constant pressure characteristics 3 proportional characteristics			
Additional functions	anti-lock function, venting function, button lock			
Supply voltage	1 x 230 V, 50 Hz			
Motor protection	no external motor protection required			
Protection rating	IP44			
Ambient temperature	0 °C to 60 °C			
Media temperature	-10 °C to 110 °C			
Temperature class	TF 110 according to EN 60335-2-51			
Maximum system pressure	1.0 MPa   10 bar			
Connection sizes	DN15, DN25, DN32			
Installation lengths	130 mm, 180 mm			
Pump housing material	grey cast iron cataphoresis coated; stainless steel			
Weight incl. insulation	1,8 kg			
EEl	go.tec   40 ≤ 0.19   60 ≤ 0.20   70 ≤ 0.21   80 ≤ 0.21			

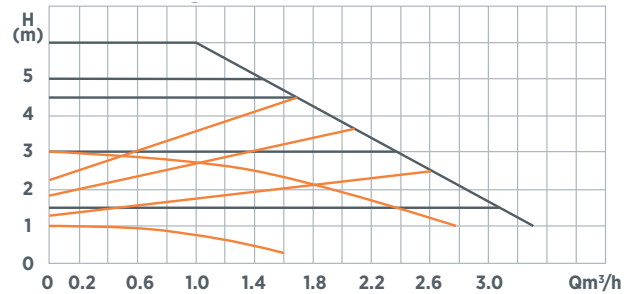
EEl  
≤ 0,21



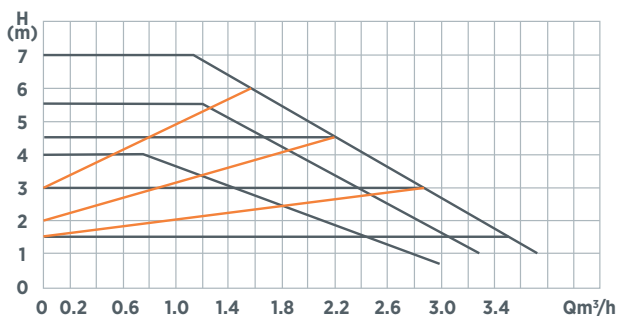
Characteristic WITA go.tec 40



Characteristic WITA go.tec 60



Characteristic WITA go.tec 70



Characteristic WITA go.tec 80

