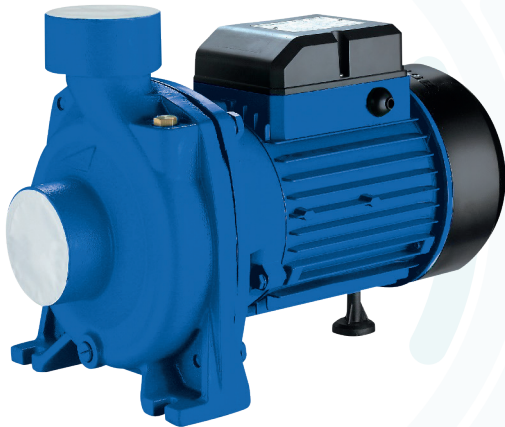


Centrifugal pump ACm



Product advantages

- Innovative design, optimised engine - and hydraulic performance
- Standard delivery with brass impeller, also available with plastic impeller

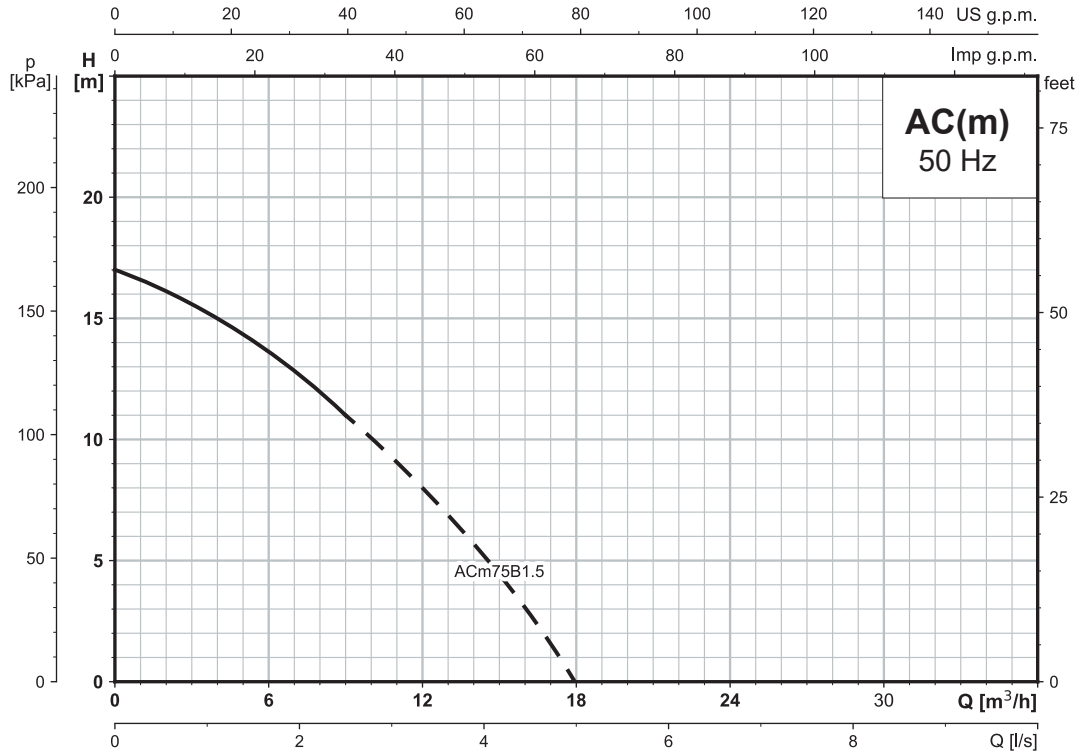
Technical data

ACm | 75B1.5

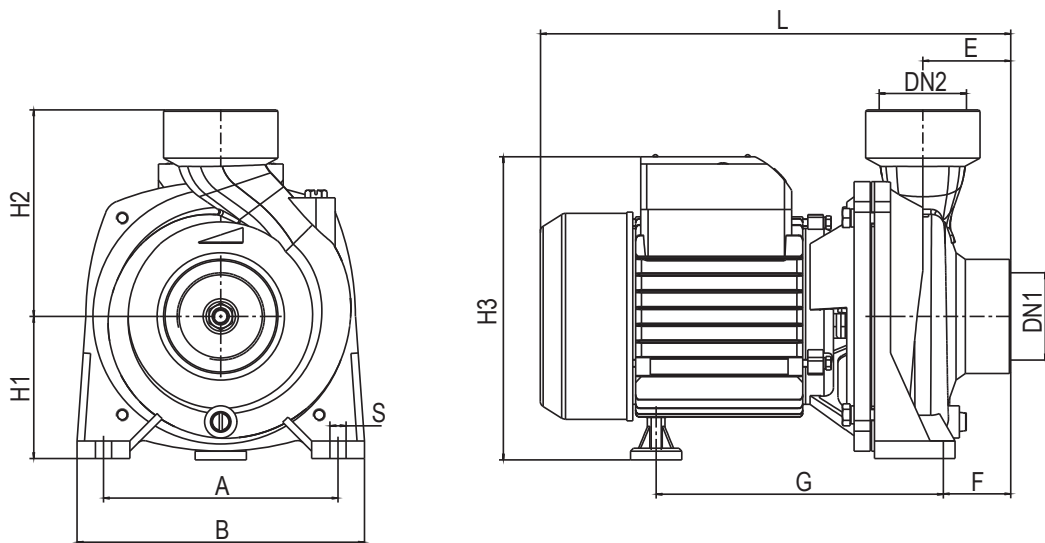
Max. head (m)	17
Max. Flow (m ³ /h)	18
Max. suction head (m)	7
Power P2 (kW)	0.75
Supply voltage	1x230V, 50Hz
Protection class	IP44
Ambient temperature (°C)	40
Fluid temperature (°C)	40
Max. system pressure (bar)	3
Insulation class	Class B
Pump housing material	cast iron
Impeller material	copper
Cable	1.5m Length incl. protective power plug

Article No
| P OP340 7509

Hydraulic characteristics



Dimensions and Weight



Model	Connections		Dimensions (mm)										Weight (kg)	
	DN1	DN2	A	B	E	F	G	L	S	H1	H2	H3	N.W.	G.W.
ACm75B1.5	1½"	1½"	160	190	41	91	129	299	10	95	135	204	10.5	11