



# WITA Combi group WMB 2

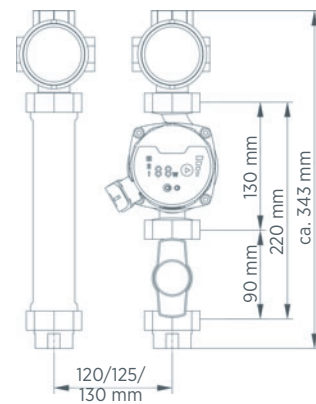
## Product description

WITA combination group WMB 2 / R  
 The combination group WMB 2 / R is foreseen for small and medium hot water central heating systems. The spacer D 90 is provided with a pump flange. Commercially available pumps with a length of 130 mm and a 1. "connection thread can be used.



## Technical equipment

- 1 mixing valve WMB
- 1 spacer 222 ST
- 1 spacer 90 ST
- 2 combination ball valves with 2 thermometers 0 - 120 ° C centrally (with screw connection set and 2 caps 3/4 "Ms)
- 2 inserts 1 "brass
- 2 union nuts 1 1/2 "Ms (for ET)
- 2 seals
- Including EPP insulation



## Technical data

System pressure max.	6 bar
Operating temperature flow	max. 110 ° C
Pump medium	water (with max. 50% glycol)
Nominal size	DN 25
Center distance	120 mm, 125 mm
Seals	EPDM PTFE special compound
Suitable accessories	<ul style="list-style-type: none"> <li>• Distribution base module VM 120/125</li> <li>• Distributor extension module VM 120/125</li> <li>• WITA high-efficiency pump</li> </ul>

