

# Jet pump AJ-A



## Product advantages

- Jet pump with brass impeller, PPO nozzle unit and pump body made of cast iron
- Configurable: for automatic control, the pump can also be supplied with a pressure switch and pressure tank

## Technical data

### AJ | 55-A

### | 75-A

### | 110-A

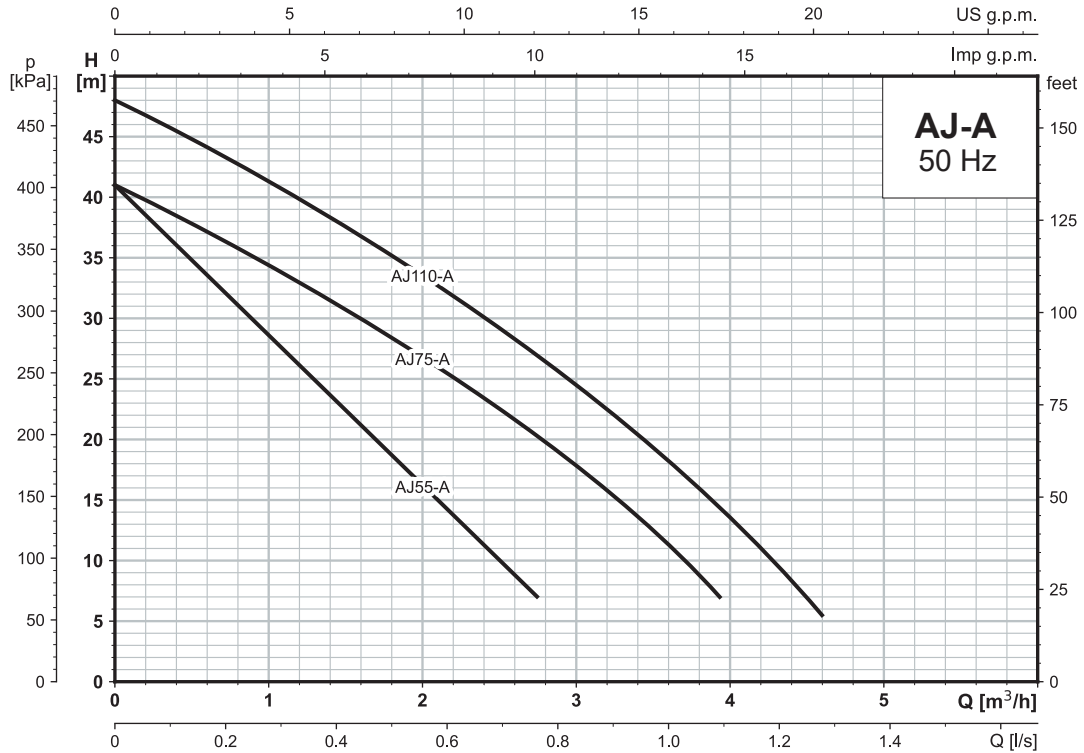
Max. head (m)	41	46	52
Max. Flow (m <sup>3</sup> /h)	3.6	4.5	5.4
Max. suction head (m)	9	9	9
Power P2 (kW)	0.55	0.75	1.1
Supply voltage	1x230V, 50Hz	1x230V, 50Hz	1x230V, 50Hz
Protection class	IP44	IP44	IP44
Ambient temperature (°C)	40	40	40
Fluid temperature (°C)	40	40	40
Max. system pressure (bar)	6	6	6
Insulation class	Class B	Class B	Class B
Pump housing material	cast iron	cast iron	cast iron
Impeller material	copper	copper	copper
Cable	1.5m Length incl. protective power plug	1.5m Length incl. protective power plug	1.5m Length incl. protective power plug

**Article No**  
**| P OP340 7165**

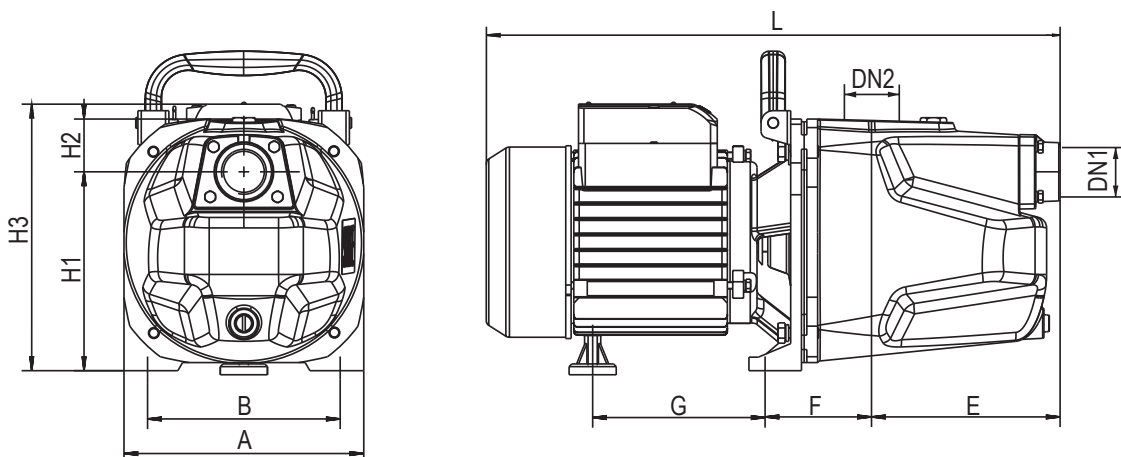
**Article No**  
**| P OP340 7166**

**Article No**  
**| P OP340 7167**

## Hydraulic characteristics



## Dimensions and Weight



Model	Connections		Dimensions (mm)									Weight (kg)	
	DN1	DN2	A	B	E	F	G	L	H1	H2	H3	N.W.	G.W.
<b>Single-phase</b>													
AJ55-A	1"	1"	140	178	132	21	193	430	147	38	204	13.3	14
AJ75-A	1"	1"	140	178	132	21	193	430	147	38	204	14.7	15.5
AJ110-A	1"	1"	140	178	132	21	193	430	147	38	204	15.7	16.5